

DRAWING DIRECTORY

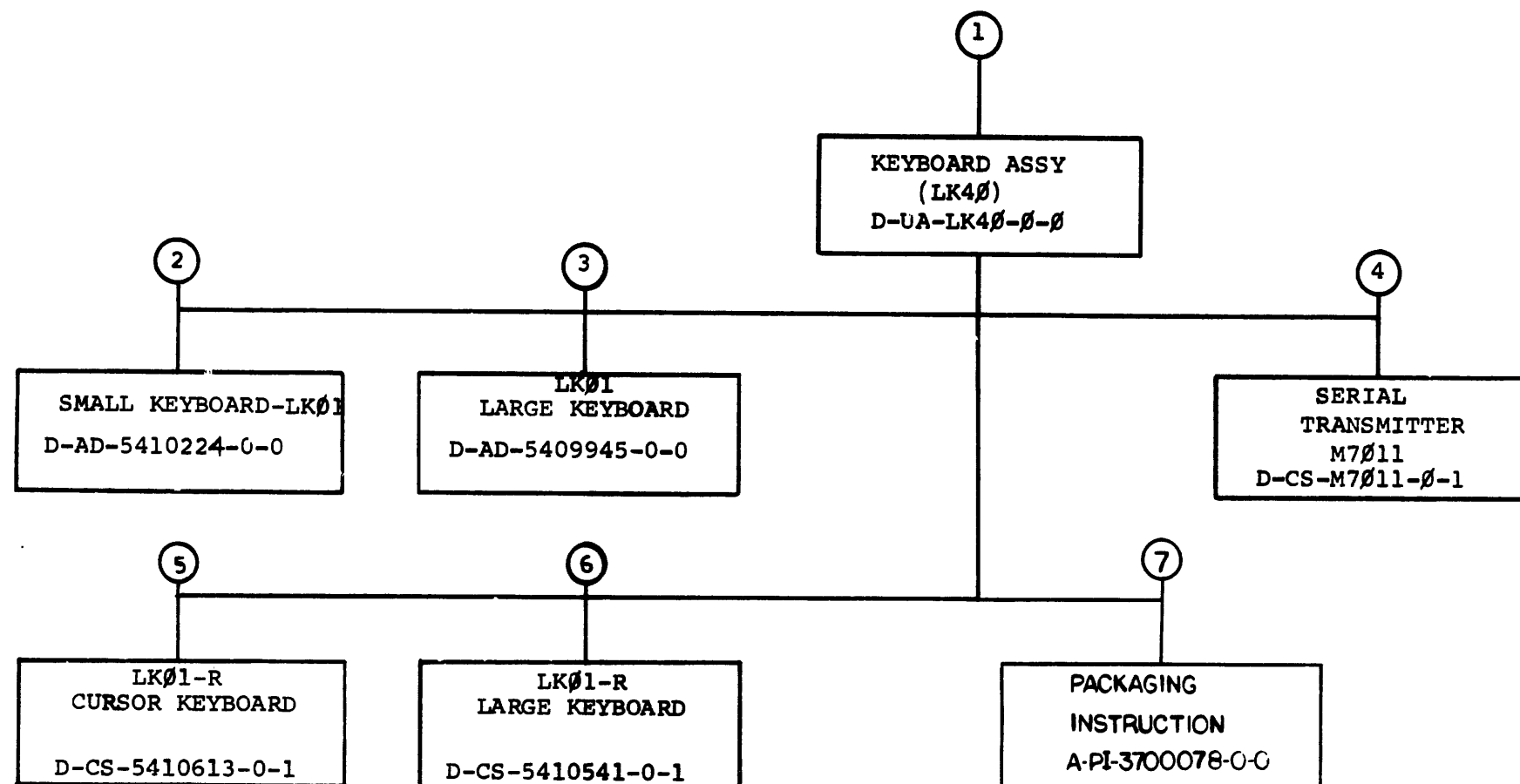
"THIS DRAWING AND SPECIFICATIONS, HEREIN, ARE THE PROPERTY OF DIGITAL EQUIPMENT CORPORATION AND SHALL NOT BE REPRODUCED OR COPIED OR USED IN WHOLE OR IN PART AS THE BASIS FOR THE MANUFACTURE OR SALE OF ITEMS WITHOUT WRITTEN PERMISSION. COPYRIGHT © 1972, DIGITAL EQUIPMENT CORPORATION"

CUSTOMER PRINT SET INDEX

THIS IS PRINT SET

SEQUENCE	DESCRIPTION	SEQUENCE	DESCRIPTION	MFG. SET.	UNIT VARIATIONS					
					VAR	TITLE	PRINT SET			
	KEYBOARD ASSY	B-DD-LK40-0			LK40-0	KEYBOARD ASSY (LK40)	X			
	KEYBOARD ASSY	D-UA-LK40-0-0			LK40-A	KEYBOARD ASSY 50FT	X			
	SMALL KEYBOARD-LK01	D-AD-5410224-0-0			LK40-B	KEYBOARD ASSY 50FT + DLII	X			
	CIRCUIT SCHEMATIC	D-CS-5410224-0-1			LK40-C	KEYBOARD ASSY. 8 FT	X			
	LARGE KEYBOARD-LK01	D-AD-5409945-0-0			LK40-D	KEYBOARD ASSY 8FT + DLII	X			
	CIRCUIT SCHEMATIC	D-CS-5409945-0-1			LK40-E	KEYBOARD ASSY 5FT FOR M7123	X			
	SERIAL TRANSMITTER	D-CS-M7011-0-1								
	LARGE KEYBOARD-LK01-R	D-CS-5410541-0-1								
	CURSOR KEYBOARD -LK01-R	D-CS-5410613-0-1								
	SHIPPING LIST (LK40)	A-PL-LK40-0-1								
	KEYBOARD CABLE			D-IA-7008959-0-0						
	CABLE, KEYBOARD			D-IA-7008960-0-0						
	CABLE, INTRA-KEYBOARD			D-IA-7008612-10						
	PACKAGING INSTRUCTIONS			A-PI-3700078-0-0						
	PUSHBUTTON,CABLE			D-IA-7011619-0-0						
	LK40 CHECK + ACCEPTANCE PROC.			A-SP-LK40-0-4						
	PUSHBUTTON,CABLE			D-IA-7014402-0-0						

REV	CHG. NO.	DATE	DESCRIPTION	USED ON OPTION/MODEL	DRN. C.B.MCCOY	DATE	TITLE	SIZE		CODE		NUMBER	REV
								B	DD				
A	LK40-2	1-73				8/28/72	KEYBOARD ASSY (LK40)					LK40-0	L
B	LK40-3	1-73											
C	LK40-4	2-74											
D	LK40-5	4-74											
E	LK40-6	5-74											
F	LK40-7	7-75											
H	LK40-8	10-75											
J	LK40-9	11-76											
K	LK40-10	7-77											
L	LK40-11	12-77											



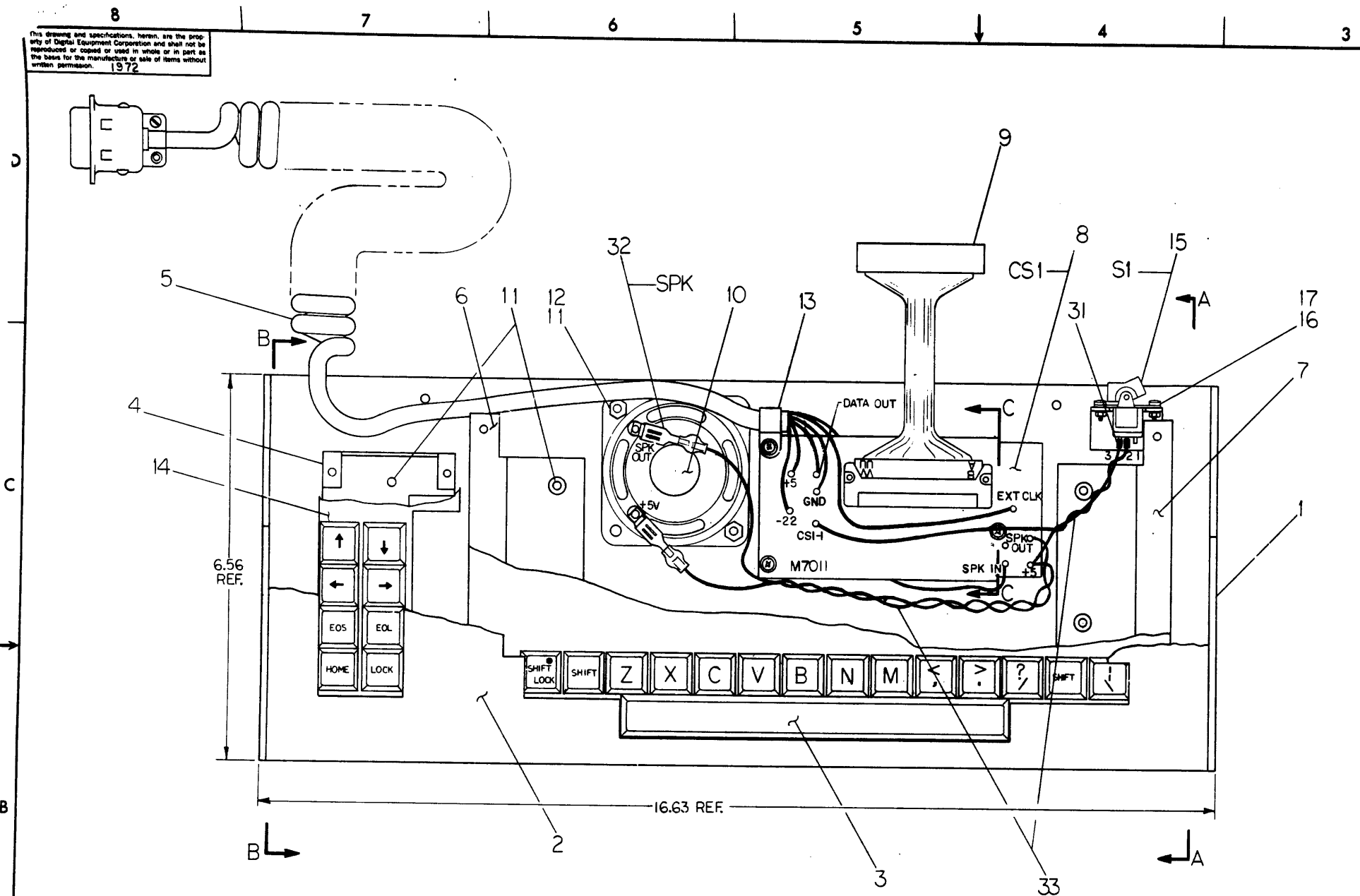
TITLE	SHEET 2 OF 3	SIZE CODE	NUMBER	REV
KEYBOARD ASSY (LK4Ø)		B DD	LK4Ø-Ø	L

CUSTOMER PRINT SET		ELECTRICAL					CUSTOMER PRINT SET		MECHANICAL						
	LK40	MFG. SET	FIND NO.	REV	NO OF SHT	DESCRIPTION	OPTION NO./FILE DATE		LK40	MFG SET	FIND NO.	REV	NO OF SHT	DESCRIPTION	OPTION NO./FILE DATE
	X		1		3	KEYBOARD ASSY (LK40)					1	D-UA-LK40-0-0	F	2	KEYBOARD ASSY (LK40)
	X				1	SHIPPING LIST (LK40)									
					14	LK40 CHECKOUT+ACCEPTANCE PROC.				X		D-IA-7008959-0-0	#	1	KEYBOARD CABLE
										X		D-IA-7409833-0-0	#	2	COVER, KEYBOARD
										X		D-IA-7008960-0-0	#	1	CABLE, KEYBOARD
										X		C-IA-7409761-0-0	#	1	BRKT, SMALL KEYBD.
										X		D-IA-7008612-1-0	#	1	CABLE INTRA KEYBOARD
												C-IA-7408638-0-0	#	1	BRKT, LARGE KEYBD.
	X		2		2	SMALL KEYBOARD LK01						E-IA-7409834-0-0	#	1	BASE PLATE, KEYBOARD
	X				1	CIRCUIT SCHEMATIC LK01						A-PI-3700038-0-0	#	2	PACKAGING INSTRUCTIONS
										X		D-IA-7011619-0-0	B	1	PUSHBUTTON CABLE
										X	7	A-PI-3700078-0-0	#	2	PACKAGING INSTRUCTIONS
												A-PS-9905248-0-0	#	2	COMPRESS-O-CARTON
												A-PS-9905129-13-0	#	4	POLYBAG(11X19 1/2 IN.) 3 MIL
	X		3		3	LARGE KEYBOARD LK01						A-PS-9905012-1-0	#	1	MAILITE SHIPPING ENV.(4X6 1/2 IN.)
	X				1	CIRCUIT SCHEMATIC LK01				X		D-IA-7014402-0-0	#	1	PUSHBUTTON CABLE
	X		4		2	SERIAL TRANSMITTER									
	X		5		1	CURSOR KEYBOARD LK01-R									
	X		6		2	LARGE KEYBOARD LK01-R									

CUSTOMER PRINT SET CODES
X = PRINT OF DOCUMENT INCLUDED IN PRINT SET
C = INCLUDES ALL PRINTS INDICATED ON DOCUMENT
S = CONFIDENTIAL. AUTHORIZED SIGNATURE REQUIRED

TITLE: KEYBOARD ASSY (LK40)
SHEET 3 OF 3
SIZE CODE: B DD
NUMBER: LK40-0
REV: 1

This drawing and specifications, herein, are the property of Digital Equipment Corporation and shall not be reproduced or copied in whole or in part for any other purpose without written permission. 1972



TOP VIEW
PARTIAL TOP COVER AND
PARTIAL LARGE & SMALL
KEYBOARD

QTY.	DESCRIPTION	PART NO.	ITEM NO.
1	SERIAL TRANSMITTER	M701-7C	44
1	PUSHBUTTON, CABLE	D-IA-70442-00	43
1	KEYBOARD CABLE	D-IA-701165-00	42
1	SERIAL TRANSMITTER	M701-7A	41
1	KEYBOARD CABLE	D-IA-701165-00	40
4	WASHER, NYLON #10	9006714	39
1	PACKAGING INSTRUCTION	A-PI-3700078-00	38
2	SCREW, PHL PAN, HD, #8-32x7/8	9006042-1	37
3	WASHER, INT. TOOTH #4	9006632	36
4	WASH., FLAT NYLON #4	9006706	35
1	CABLE, INTRA-KEYBOARD	7008612-18	34
A/R	WIRE, #22 AWG TWP WRT/110	9107420-79	33
2	TERM., SOLDERLESS	9007917	32
A/R	TUBING, HEAT SHRINK	9107255-09	31
2	SCREW, PHL PAN HD, #3-40x3/16	9008032-1	30
3	SCREW, PHL FLT HD #4-40x1/4	9006009-2	29
3	SPACER, FIBER #4-40x5/16	9007623	28
1	STRAIN RELIEF	9008492-1	27
4	FOOT, HEMISPHERE, 3M SJ5017	9005525	26
4	SCREW, PHL FLT HD, #6-32x1/4	9006020-2	25
1	SCREW, PHL PAN HD, #4-40x5/16	9006010-1	24
4	SCREW, PHL PAN HD, #4-40x5/16	9006010-1	23
4	WASH., INT. TOOTH LOCK #4	9006632	22
2	SCREW, PHL PAN HD, #8-32x1/2	9006039-1	21
4	WASH., INT. TOOTH LOCK #8	9006634	20
4	SPACER, AL. HEX. 1/8LG. #4	9006791	19
4	SPACER, AL. HEX. 3/16LG. #8	9006797	18
2	NUT, KEPS #4-40	9006557	17
2	SCREW, PHL PAN HD #4-40x1/4	9008301-1	16
1	SWITCH, #7101-J1-ZBE C&K	1210894	15
1	KEYBOARD, SMALL	5410613	14
1	CLAMP, CABLE NYLON 1/4"	9007081	13
2	NUT, KEPS #8-32	9006563	12
8	SCREW, PHL FLT HD, #8-32x3/8LG	9006037-2	11
1	SPEAKER, BELL	1210299	10
1	CABLE, KEYBOARD	D-IA-7008960-0-0	9
1	SERIAL TRANSMITTER	M7011	8
1	BRACKET, LARGE KEYBOARD	7408638-1	7
1	BRACKET, LARGE KEYBOARD	7408638-2	6
1	KEYBOARD CABLE	D-IA-7008959-0-0	5
1	BRACKET, SMALL KEYBOARD	C-IA-7409761-0-0	4
1	KEYBOARD, LARGE	541C541	3
1	COVER, KEYBOARD	D-IA-7409833-0-0	2
1	BASEPLATE, KEYBOARD	E-IA-7409834-0-0	1

FIRST USED ON OPTION/MODEL	QTY.	DESCRIPTION	PART NO.	ITEM NO.
LK40				

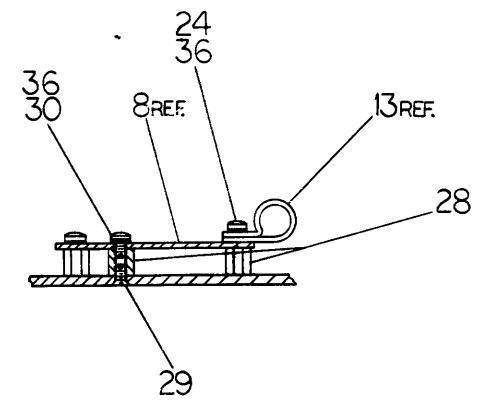
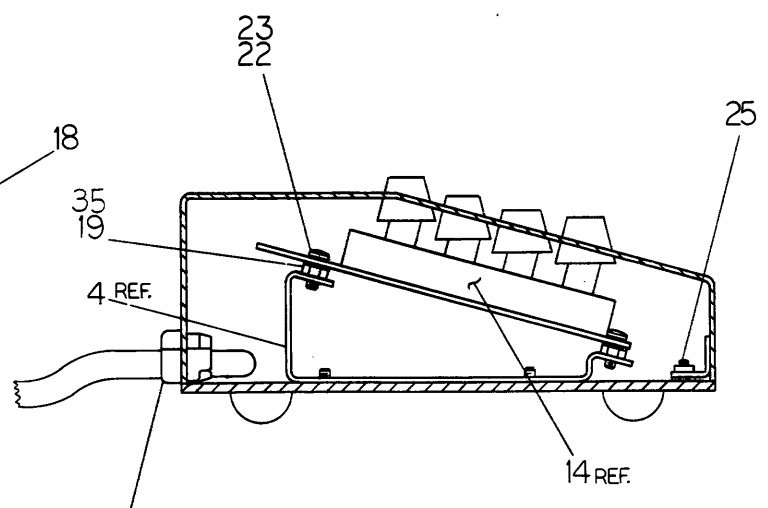
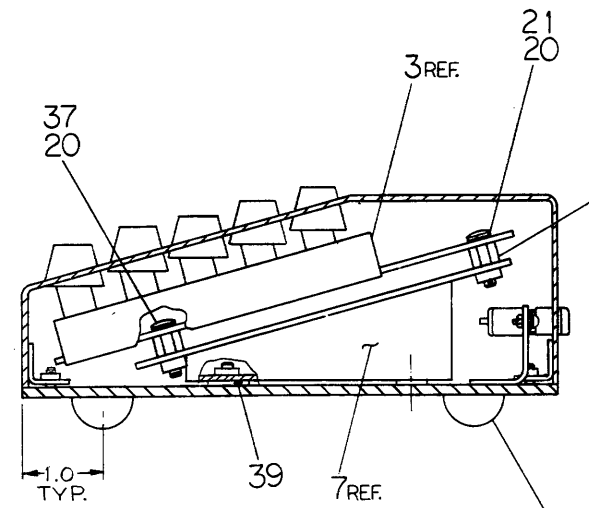
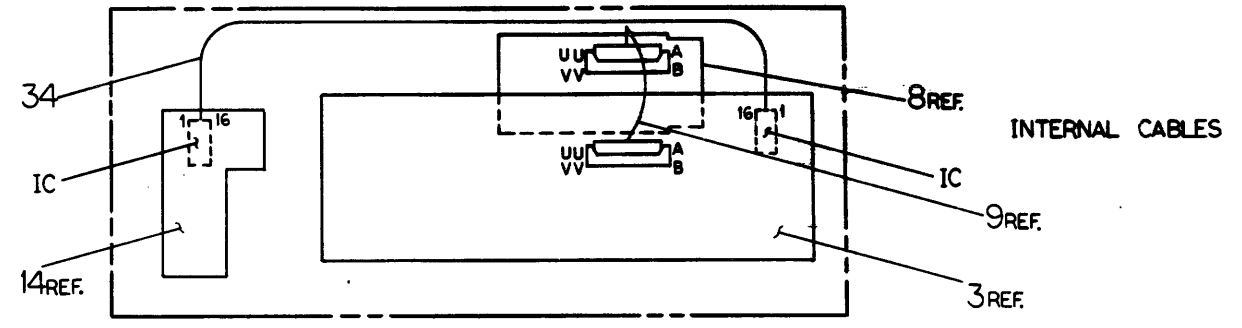
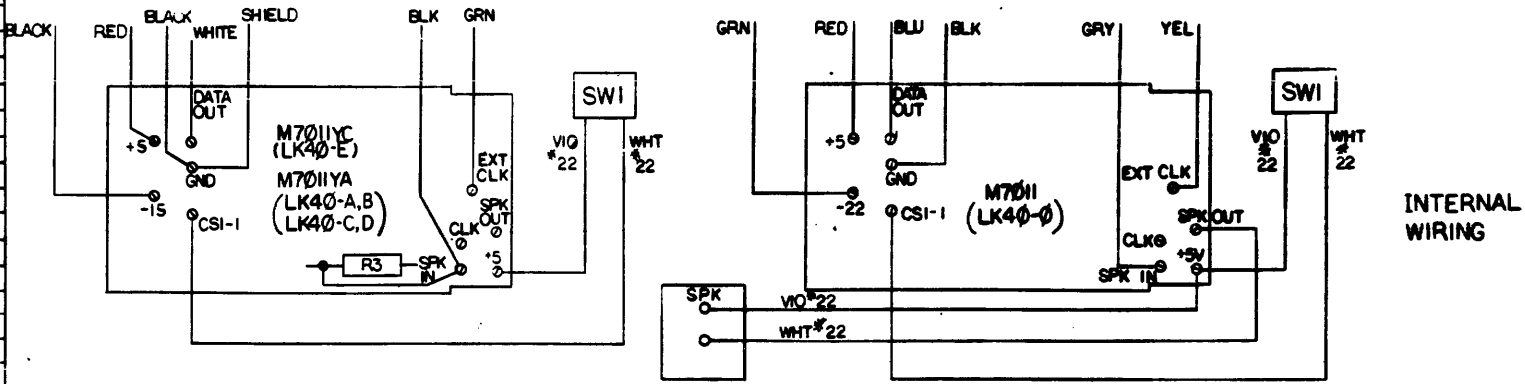
UNLESS OTHERWISE SPECIFIED DIMENSION IN INCHES TOLERANCES		DRN	DATE	digital EQUIPMENT CORPORATION MAYNARD MASSACHUSETTS
DECIMALS	ANGLES	CHK'D	0-9-72	
XXX - .005	±0° 30'	ENG	0-21-72	
XX - .02		PROJ. ENG.	0-26-72	
X - .1		PROD.	0-28-72	

REMOVE BURRS AND BREAK SHARP CORNERS SURFACE QUALITY		TITLE	
MATERIAL	NEXT HIGHER ASSY.	KEYBOARD ASSY, (LK40)	
FINISH	B-DD-LK40-0	SIZE CODE	NUMBER
	SCALE 1/1	DUA	LK40-0-0
	SHEET 1 OF 3	DIST.	

REV	CHANGE NO	REV
A	GT40-00001	A
B	GT40-00002	B
C	GT40-00003	C
D	GT40-00004	D
E	GT40-00005	E
F	GT40-00006	F
G	GT40-00007	G
H	GT40-00008	H
I	GT40-00009	I
J	GT40-00010	J
K	GT40-00011	K
L	GT40-00012	L
M	GT40-00013	M
N	GT40-00014	N
O	GT40-00015	O
P	GT40-00016	P
Q	GT40-00017	Q
R	GT40-00018	R
S	GT40-00019	S
T	GT40-00020	T
U	GT40-00021	U
V	GT40-00022	V
W	GT40-00023	W
X	GT40-00024	X
Y	GT40-00025	Y
Z	GT40-00026	Z

This drawing and specifications, herein, are the property of Digital Equipment Corporation and shall not be reproduced or copied or used in whole or in part as the basis for the manufacture or sale of items without written permission. 1972

WIRE TABLE								
ITEM NO.	DESCRIPTION	AWG	COLOR	FROM		TO		REMARKS
				CONNECTION	WITH	CONNECTION	WITH	
5	*18	GRN	---	---	CSI, -22	SOLDER	LK40-0 ONLY	
		YEL	---	---	CSI, CLK			
		RED	---	---	CSI, +5			
		GRY	---	---	CSI, SPK IN			
		BLU	---	---	CSI, DATA OUT			
5	*18	BLK	---	---	CSI, GND			
33	*22	WHT	SPK OUT	32	CSI, SPK OUT			
	TWP	VIO	SPK +5V	32	CSI, +5V			LK40-0 ONLY
33	*22	VIO	SI-3	SOLDER	CSI, +5V			USE ITEM 31
	TWP	WHT	SI-2	SOLDER	CSI-1			USE ITEM 31
40	TWP	RED	---	---	CSI, +5			LK40-A, B, E
	1	BLK	---	---	CSI, -15			
		SHD	---	---	CSI, GND			
	TWP	WHT	---	---	CSI, DATA OUT			
	2	BLK	---	---	CSI, GND			
	TWP	GRN	---	---	CSI, EXT CLK			
40	3	BLK	---	---	CSI, SPK IN	SOLDER		LK40-A, B, E



SECTION A-A
(LARGE KEYBOARD)

SECTION B-B
(SMALL KEYBOARD)

SECTION C-C

FIRST USED ON OPTION/MODEL	QTY.	DESCRIPTION	PART NO.	ITEM NO.
LK40				
UNLESS OTHERWISE SPECIFIED DIMENSION IN INCHES.				
DECIMALS	ANGLES	PARTS LIST		
.XXX - .005	±0° 30'	DRN	DATE	8-18-72
.XX - .02		CHK'D	DATE	8-18-72
.X - .1		ENG.	DATE	8-18-72
REMOVE BURRS AND BREAK SHARP CORNERS SURFACE QUALITY		PROJ. ENG.	DATE	8-26-72
		PROP.	DATE	8-28-72
MATERIAL		NEXT HIGHER ASSY.		
FINISH		SCALE 1/1		
		SHEET 2 OF 3		
		TITLE		
		KEYBOARD ASS'Y (LK40)		
		NUMBER		
		DUA LK40-0-0		
		REV.		
		L		

REVISIONS
CHANGE NO.
REV.

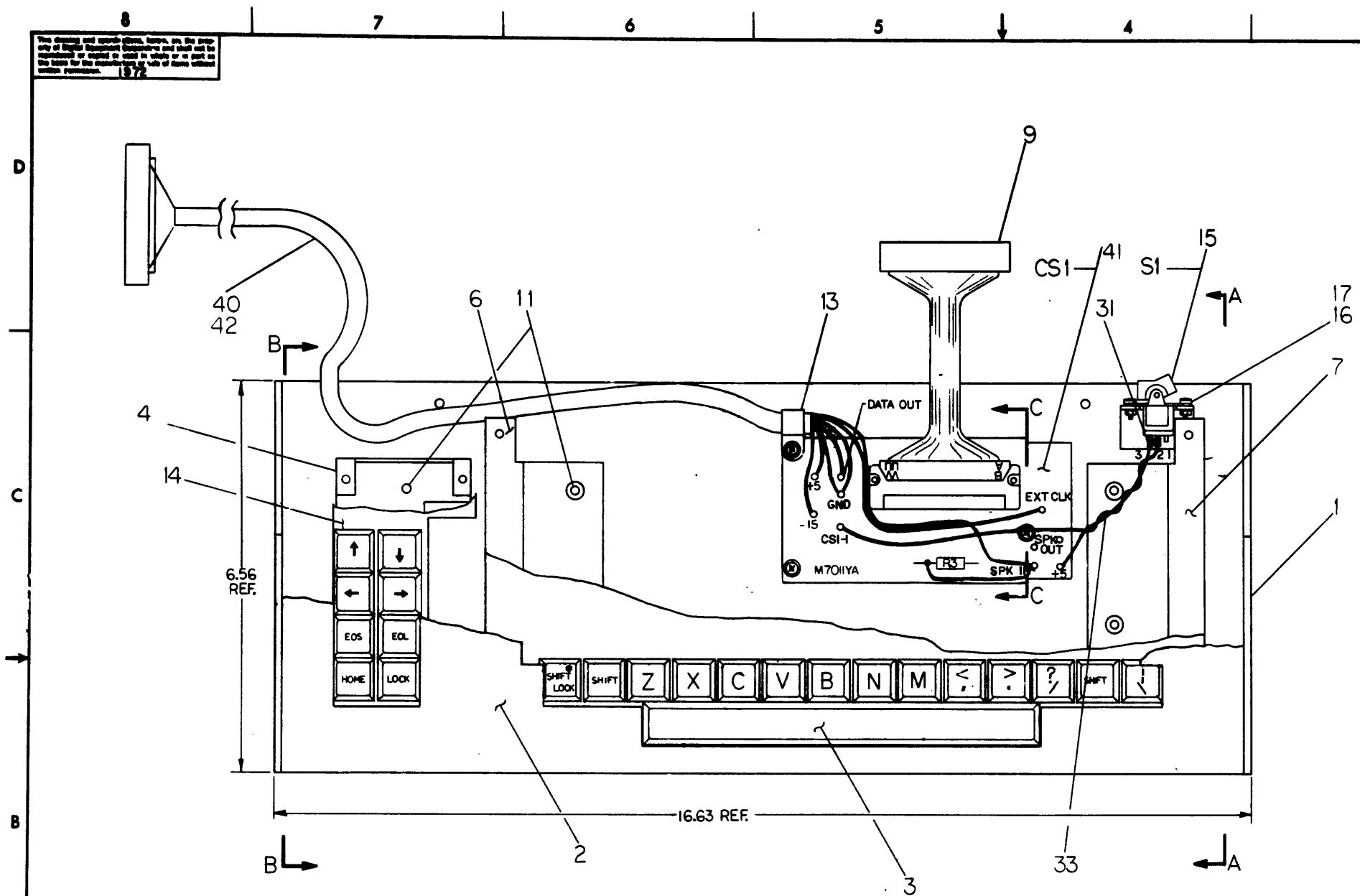
DATE CODE
DUA LK40-0-0

B

A

The drawing and special items herein are the property of Digital Equipment Corporation and shall not be reproduced or copied in whole or in part without the written consent of the company. 1972

VARIATION	DESCRIPTION
LK40-0	COIL CORD (VR17)
LK40-A	50 FT. ROUND CORD
LK40-B	LK40-A PLUS DL11-A
LK40-C	8 FT. ROUND CORD
LK40-D	LK40-C PLUS DL11-A
LK40-E	5 FT CORD FOR M7123



LK40-A,B,C,D,E
TOP VIEW
PARTIAL TOP COVER AND
PARTIAL LARGE & SMALL
KEYBOARD

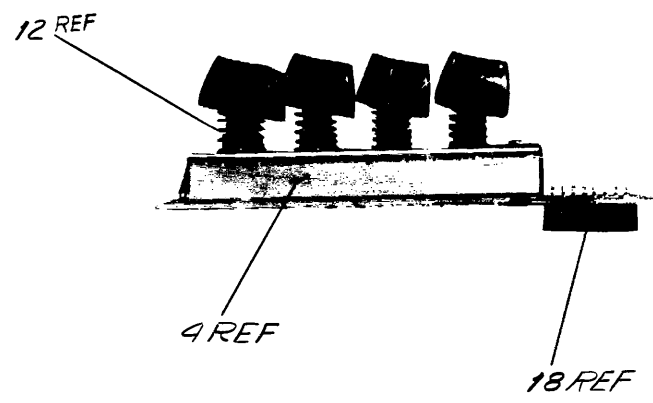
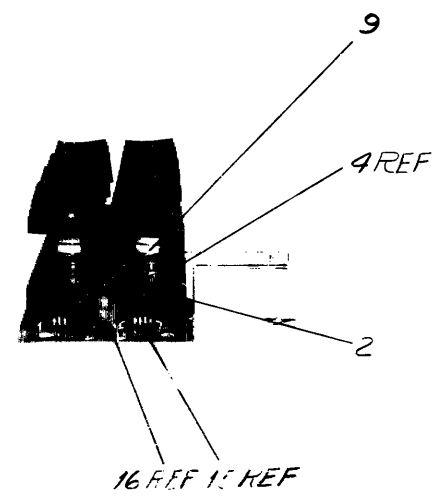
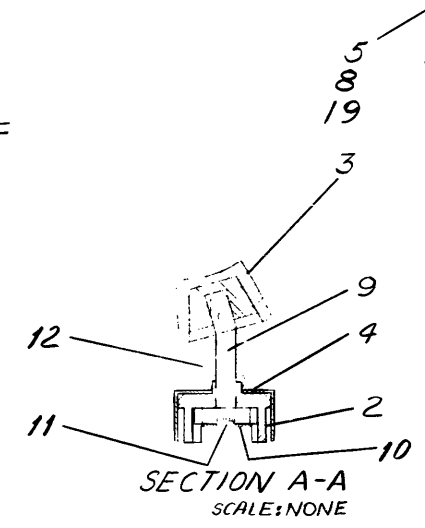
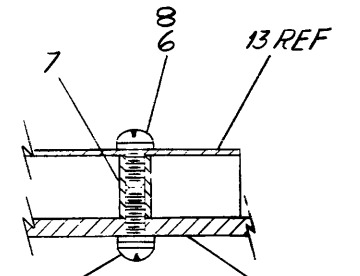
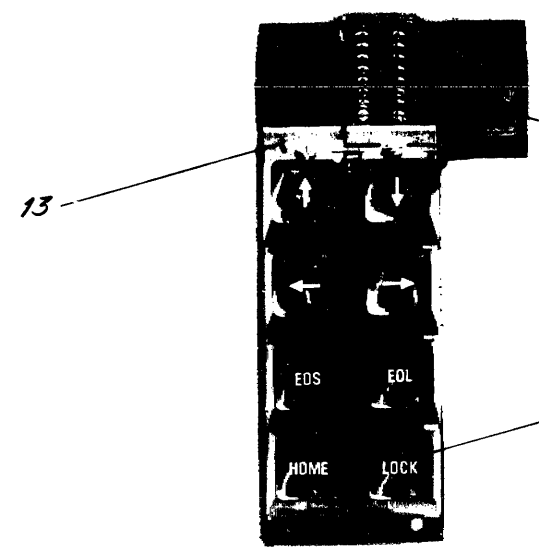
REVISIONS
REV. NO.
CHANGE NO.

FIRST USED ON OPTION/MODEL	QTY.	DESCRIPTION	PART NO.	ITEM NO.
LK40				
PARTS LIST				
UNLESS OTHERWISE SPECIFIED DIMENSION IN INCHES TOLERANCES	DBL DATE 7-31-75	DATE 7-31-75	 DIGITAL EQUIPMENT CORPORATION MAYNARD MASSACHUSETTS TITLE KEYBOARD ASSY, (LK40)	
DECIMALS	ANGLES	DATE 7-31-75		
XXX - .006	±0° 30'	DATE 10-6-75		
.XX - .02		DATE 10-17-75		
.X - .1		DATE		
REMOVE BURRS AND BREAK SHARP CORNERS SURFACE QUALITY	MOD	DATE		
MATERIAL	NEET HIGHER ASSY.	SIZE CODE	NUMBER	REV
FINISH	B-DD-LK40-0	DUA	LK40-0-0	L
	SCALE 1/1	SHEET 3 OF 3	DIST. G	

REV. NO.
L
DUA LK40

This drawing and specifications, herein, are the property of Digital Equipment Corporation and shall not be reproduced or copied or used in whole or in part as the basis for the manufacture or sale of items, without written permission.

NOTES:
 1 FOR REFERENCE INFO REFER TO
 DWG. NO. D-AD-5909945-0-0

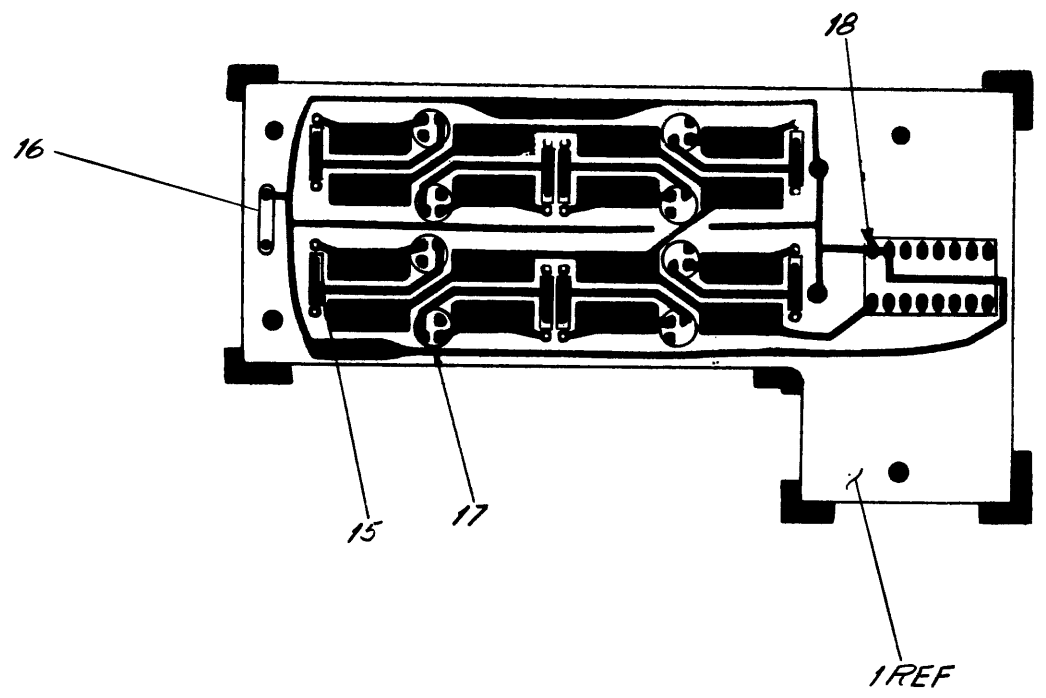


QTY.	DESCRIPTION	PART NO.	ITEM NO.
1	ETCH CIRCUIT BOARD	5010223	20
2	NYLON WASHER	9009263	19
1	SOCKET, 16 PIN IC	1210025	18
8	TRANSISTOR NPN	1510948	17
1	CAP. .005 UF	1001765	16
8	RES. 1/4 W 5% 68 K (CARBON COMP)	1301327	15
REF	CURSOR BOARD (KEYBOARD)	D-AD-5410224-0-1	14
1	DUST COVER, SHORT	BMD-710521-0-0	13
8	SPRING, LIGHT	9009161	12
8	SCREW, DRIVE 3/16	9009162	11
8	PLATE, COUPLING	CMO-7109516-0-0	10
8	KEY SHAFT, STEPPED 90° TURN	D-MD-7110519-0-0	9
4	WASHER, # 2	9006631	8
2	STANDOFF, CHANNEL	BMD-7109538-0-0	7
2	SCREW, #2-56 X 1/4 LG	9006001-9	6
2	SCREW, #2-56 X 3/16 LG	9006002-9	5
2	CHANNEL MACHINING	CMO7110520-0-0	4
1 SET	KEYCAP, SINGLE	D-PS-9009118-63-0	3
8	KEY GUIDE	CMO-7109525-0-0	2
REF	P.C. BOARD, CURSOR BOARD	D-JR-5010023-0-0	1

FIRST USED ON OPTION/MODEL	QTY.	DESCRIPTION	PART NO.	ITEM NO.
VT05				
UNLESS OTHERWISE SPECIFIED DIMENSION IN INCHES TOLERANCES				
DECIMALS	ANGLES	TITLE		
xxx .005	1' 0' 30"	CURSOR BOARD ASSY (KEYBOARD)		
xx .02		digital EQUIPMENT CORPORATION		
x .1		MAYTAG MA888488113		
REMOVE BURRS AND BREAK SHARP CORNERS SURFACE QUALITY				
MATERIAL				
SEE PARTS LIST				
FINISH				
NEXT HIGHER ASSY.				
D-UA-VT05-0-0				
SCALE NONE				
SHEET OF 2				
DIST.				

5410224-00001	A
7/29/72	
R. PUCCI	
11-9-73	

This drawing and specifications, herein, are the property of Digital Equipment Corporation and shall not be reproduced or copied or used in whole or in part as the basis for the manufacture or sale of items without written permission.



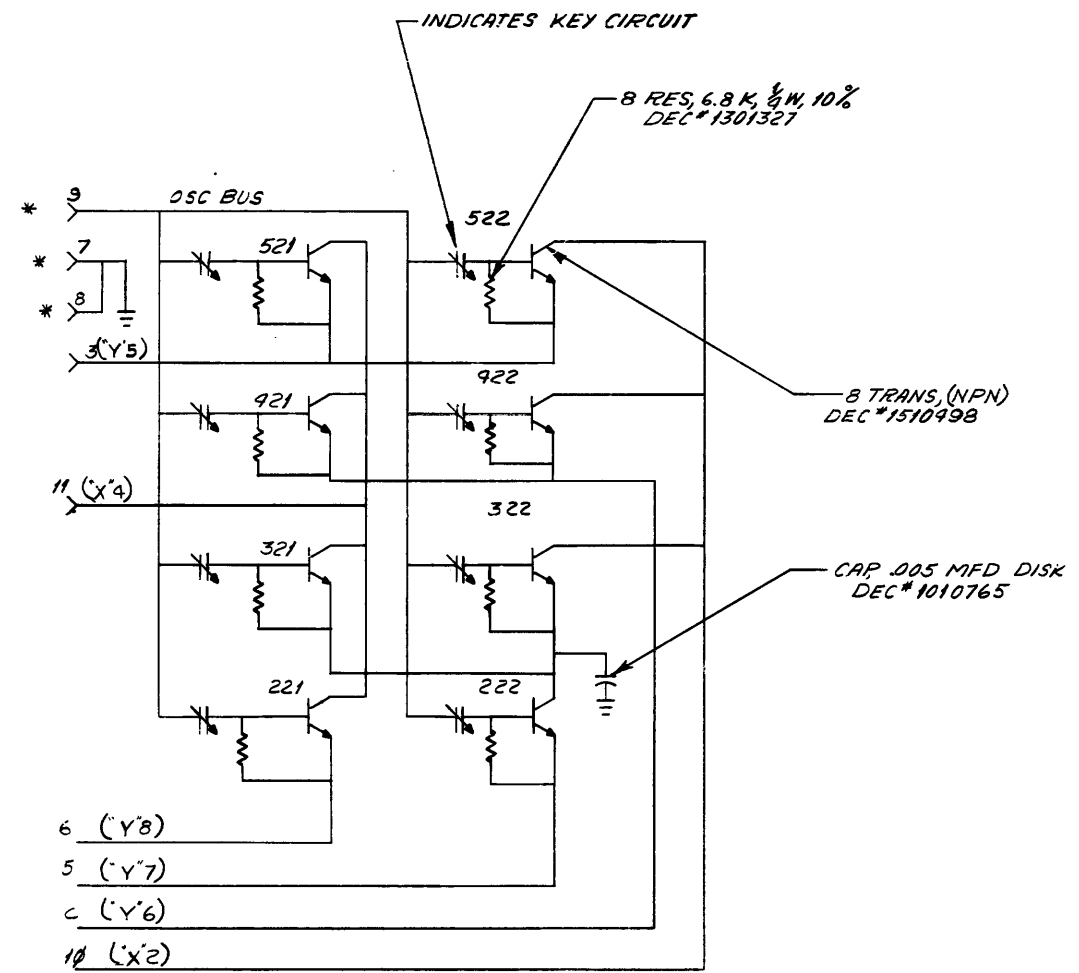
FIRST USED ON OPTION/MODEL	QTY.	DESCRIPTION	PART NO.	ITEM NO.
PARTS LIST				
UNLESS OTHERWISE SPECIFIED DIMENSION IN INCHES.		DRN <i>D. Schmidt</i>	DATE <i>9/20/72</i>	 DIGITAL EQUIPMENT CORPORATION <small>MAYNARD MASSACHUSETTS</small>
TOLERANCES		CHK'D <i>R. B. Smith</i>	DATE <i>9/27/72</i>	
DECIMALS	ANGLES	ENG. <i>R. B. Smith</i>	DATE <i>9/21/72</i>	TITLE CURSOR BOARD ASSY (KEYBOARD)
.XXX - .005	± 0° 30'	PROJ. ENG. <i>R. B. Smith</i>	DATE <i>9/21/72</i>	
.X - .1		PROD. <i>R. Davis</i>	DATE <i>9/16/72</i>	
REMOVE BURRS AND BREAK SHARP CORNERS SURFACE QUALITY ✓		NEXT HIGHER ASSY.		
MATERIAL			SIZE CODE	NUMBER
FINISH		SCALE NONE		REV.
		SHEET 2 OF 2	D AD 5410224-0-0	A
			DIST.	

REVISIONS	CHANGE NO.	REV.
CHK		

REV. A
NUMBER 5410224-0-0
DATE CODE D AD

This drawing and specifications, herein, are the property of Digital Equipment Corporation and shall not be reproduced or used in whole or in part in any form for the manufacture of any of items without written permission.

NOTES:
 1. KEY 222 IS LOCK FOR KEYS 321 & 322. IT HAS TO BE DEPRESSED FOR OPERATION OF ABOVE KEYS.
 * 2. FOR REFERENCE INFORMATION SEE DWG. NO. D-CS-5909995-0-1



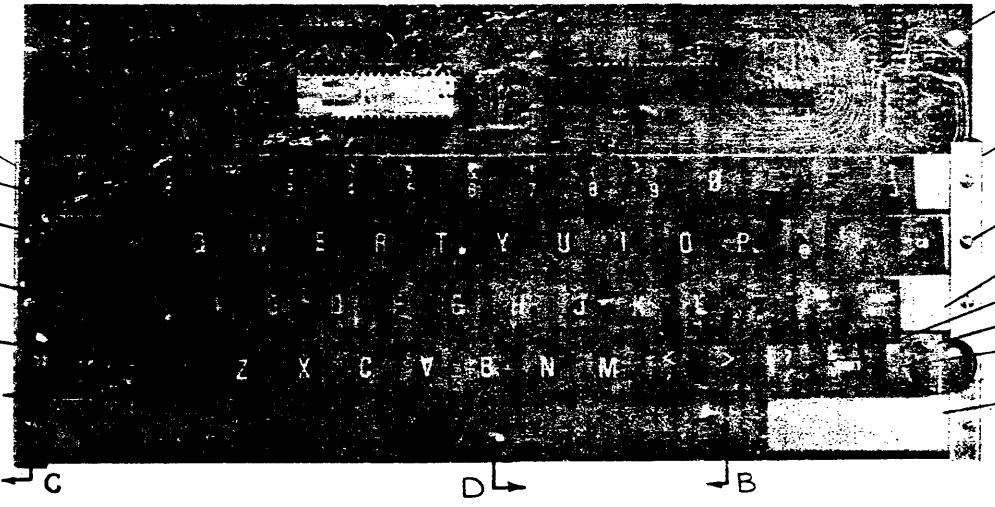
REV. NO.	DATE	BY	CHKD.
1	10/72	R. PUCCI	
2	11/72		
3	12/72		
4	1/73		
5	2/73		
6	3/73		
7	4/73		
8	5/73		

FIRST USED ON OPTION/MODEL	QTY.	DESCRIPTION	PART NO.	ITEM NO.
VT05				
PARTS LIST				
UNLESS OTHERWISE SPECIFIED DIMENSION IN INCHES.	DRN. <i>D. Miniat</i>	DATE <i>7/1/72</i>	DIGITAL EQUIPMENT CORPORATION MAYNARD MASSACHUSETTS	
TOLERANCES	CHKD. <i>R. Pucci</i>	DATE <i>7/1/72</i>		
DECIMALS	ENG. <i>R. Pucci</i>	DATE <i>8/1/72</i>	TITLE CURSOR BOARD (KEYBOARD)	
.XXX - .005	PROJ. ENG. <i>R. Pucci</i>	DATE <i>8/1/72</i>		
.XX - .02	PROD. <i>R. Pucci</i>	DATE <i>8/1/72</i>		
.X - .1				
REMOVE BURRS AND BREAK SHARP CORNERS SURFACE QUALITY				
MATERIAL	NEXT HIGHER ASSY.		SIZE CODE	NUMBER
FINISH			D	CS 5410224-0-1
	SCALE	NONE		REV. A
	SHEET	OF		

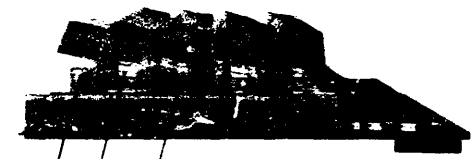
The drawing and specifications herein are the property of Digital Equipment Corporation and shall not be reproduced or used in whole or in part as the basis for the manufacture or sale of items without written permission.

NOTES:

- *1. IF ITEM #11 (COMPLETE SET) IS ORDERED DO NOT ORDER ITEM #4 (9 KEY SPACE BAR) AS IT IS PART OF COMPLETE SET WHEN ORDERED FROM CONTROL DEVICES. IF INDIVIDUAL KEYCAPS (ITEM #11) ARE ORDERED ITEM #4 MUST THEN BE ORDERED ALSO AS PER PARTS LIST.
- 2. FOR COMPONENT ASSY INFORMATION ON ITEM #1 (PC BOARD) REFER TO SHEET #3
- 3. FOR CIRCUIT SCHEMATIC INFORMATION REFER TO DWG D-C5-5409945-1



SEE NOTE #2 & SHEET #3

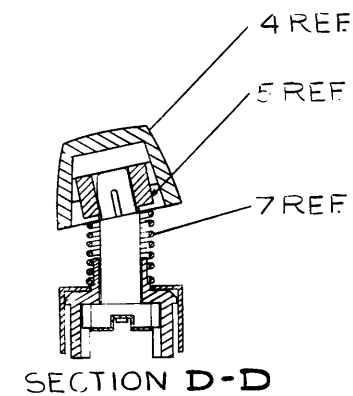
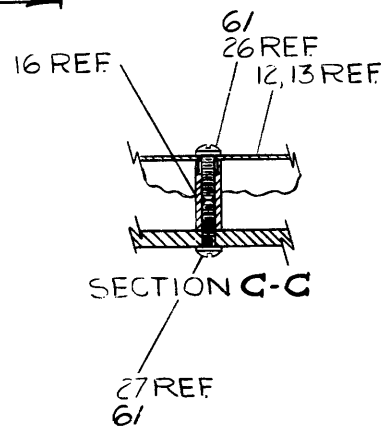
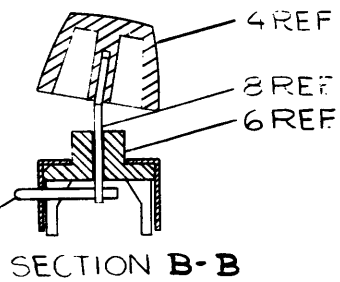
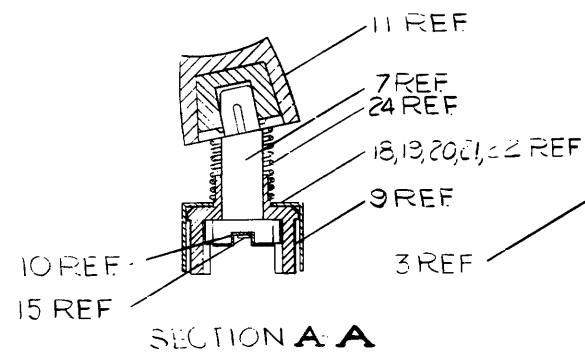
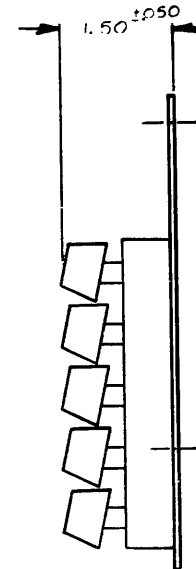
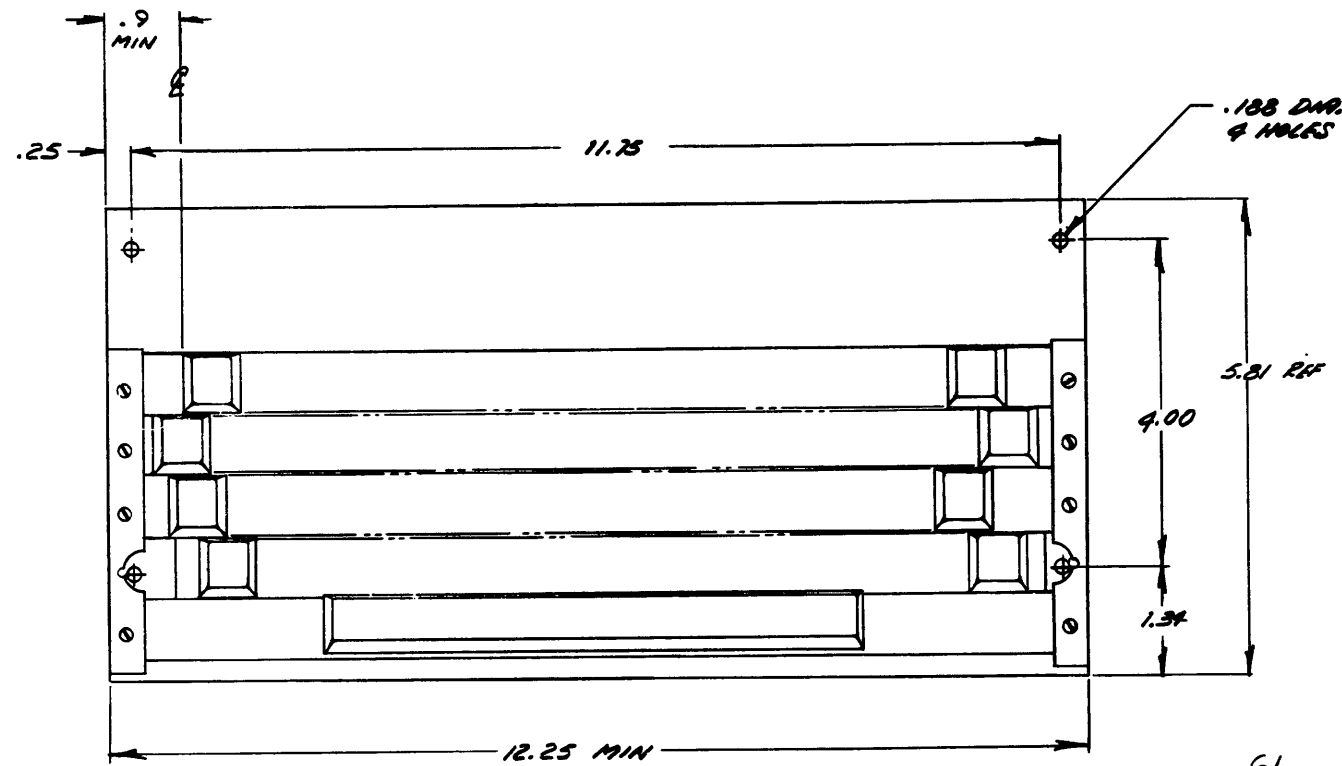


REV.	CHANGE NO.	DATE	BY	CHK.
A	0001	1-17-72	BEATTY	
B	0003	1-17-72	BEATTY	
C	0004	1-17-72	BEATTY	
D	0005	1-17-72	BEATTY	
E	0006	1-17-72	BEATTY	
F	0007	1-17-72	BEATTY	
G	0008	1-17-72	BEATTY	
H	0009	1-17-72	BEATTY	
I	0010	1-17-72	BEATTY	
J	0011	1-17-72	BEATTY	
K	0012	1-17-72	BEATTY	
L	0013	1-17-72	BEATTY	
M	0014	1-17-72	BEATTY	
N	0015	1-17-72	BEATTY	
O	0016	1-17-72	BEATTY	
P	0017	1-17-72	BEATTY	
Q	0018	1-17-72	BEATTY	
R	0019	1-17-72	BEATTY	
S	0020	1-17-72	BEATTY	
T	0021	1-17-72	BEATTY	
U	0022	1-17-72	BEATTY	
V	0023	1-17-72	BEATTY	
W	0024	1-17-72	BEATTY	
X	0025	1-17-72	BEATTY	
Y	0026	1-17-72	BEATTY	
Z	0027	1-17-72	BEATTY	

QTY.	DESCRIPTION	PART NO.	ITEM NO.
PARTS LIST			
UNLESS OTHERWISE SPECIFIED DIMENSION IN INCHES. TOLERANCES		DRN. <i>R. Williams</i> DATE <i>1-17-72</i> CHKD. <i>R. Williams</i> DATE <i>1-17-72</i> ENE. <i>R. Williams</i> DATE <i>1-17-72</i> PROJ. ENG. <i>R. Williams</i> DATE <i>1-17-72</i> PROD. <i>R. Williams</i> DATE <i>1-17-72</i>	
DECIMALS .XX - .005 .X - .02 X - .1		ANGLES 10° 30'	
REMOVE BURRS AND BREAK SHARP CORNERS SURFACE QUALITY			
MATERIAL		NEXT HIGHER ASSY.	
FINISH		SCALE	
		SHEET OF 3	
TITLE		SIZE CODE NUMBER REV.	
KEYBOARD ASSY		D AD 5409945-0-C F	

DRAWING NUMBER
 D AD 5409945-0-0

This drawing and specifications, herein, are the property of Digital Equipment Corporation and shall not be reproduced or copied or used in whole or in part as the basis for the manufacture or sale of items without written permission.



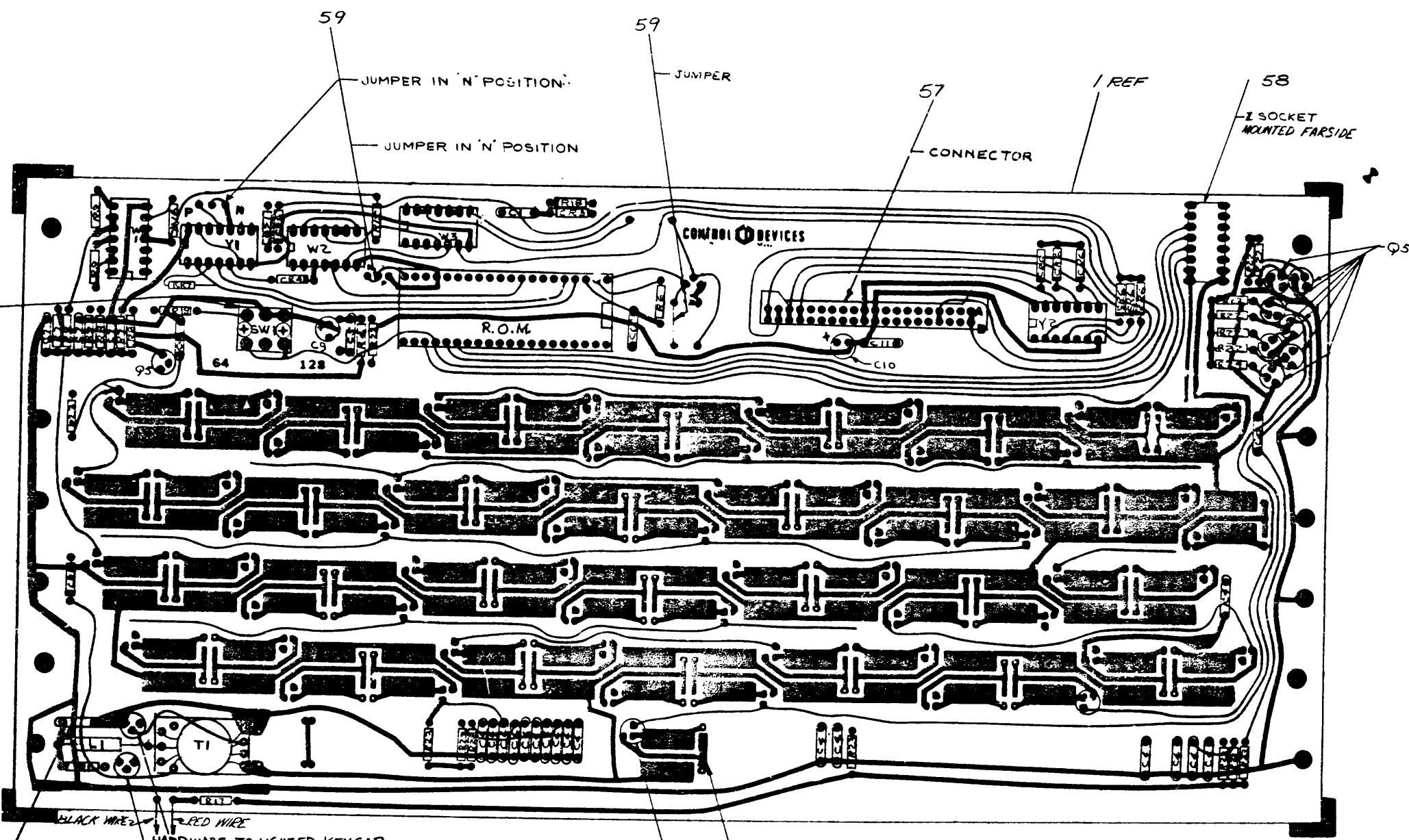
REV	
CHANGE NO.	
CHK	

FIRST USED ON OPTION/MODEL	QTY.	DESCRIPTION	PART NO.	ITEM NO.
PARTS LIST				
UNLESS OTHERWISE SPECIFIED DIMENSION IN INCHES		DATE 1-4-72	 DIGITAL EQUIPMENT CORPORATION NATYARD MASSACHUSETTS	
TOLERANCES		DATE 1-16-72		
DECIMALS	ANGLES	DATE 1-17-72	TITLE KEYBOARD ASSY	
.xxx - .006	±0° 30'	DATE 1-17-72		
.xx - .02		DATE 1-17-72	SIZE CODE D AD	
.x - .1		DATE 1-17-72		
REMOVE BURRS AND BREAK SHARP CORNERS SURFACE QUALITY ✓		DATE 1-17-72	NUMBER 5409945-0-0	
MATERIAL	NEXT HIGHER ASSY.	DATE		
FINISH	SCALE NCNE	DATE	REV. F	
	SHEET 2 OF 3	DATE		

The drawing and specifications herein are the property of Digital Equipment Corporation and shall not be reproduced or copied or used in whole or in part as the basis for the manufacture or sale of items without written permission.

REV. 0-0-940945-0-0

NOTES:
1. FORMERLY CONTROL DEVICE DWG. NO. D4459



ASSEMBLE SWITCH SELECT WITH
"128" VISIBLE, USING 2 4-40 SCREWS

BLACK WIRE
RED WIRE
HARDWARE TO LIGHTED KEYCAP

TOLERANCES
DECIMAL
.XXX = .005
.XX = .02
.X = .1

REV.	DATE	DESCRIPTION	PART NO.	ITEM NO.
1	1-6-70	KEYBOARD ASSY		
2	1-21-70			
3	1-21-70			
4	1-21-70			
5	1-21-70			
6	1-21-70			
7	1-21-70			
8	1-21-70			

DRN	DATE	1-6-70
CHKD	DATE	1-21-70
ENG	DATE	1-21-70
PROJ. ENG	DATE	1-21-70
PROD.	DATE	1-21-70
NEXT HIGHER ASSY		
SCALE	2/1	
SHEET	3 OF 3	

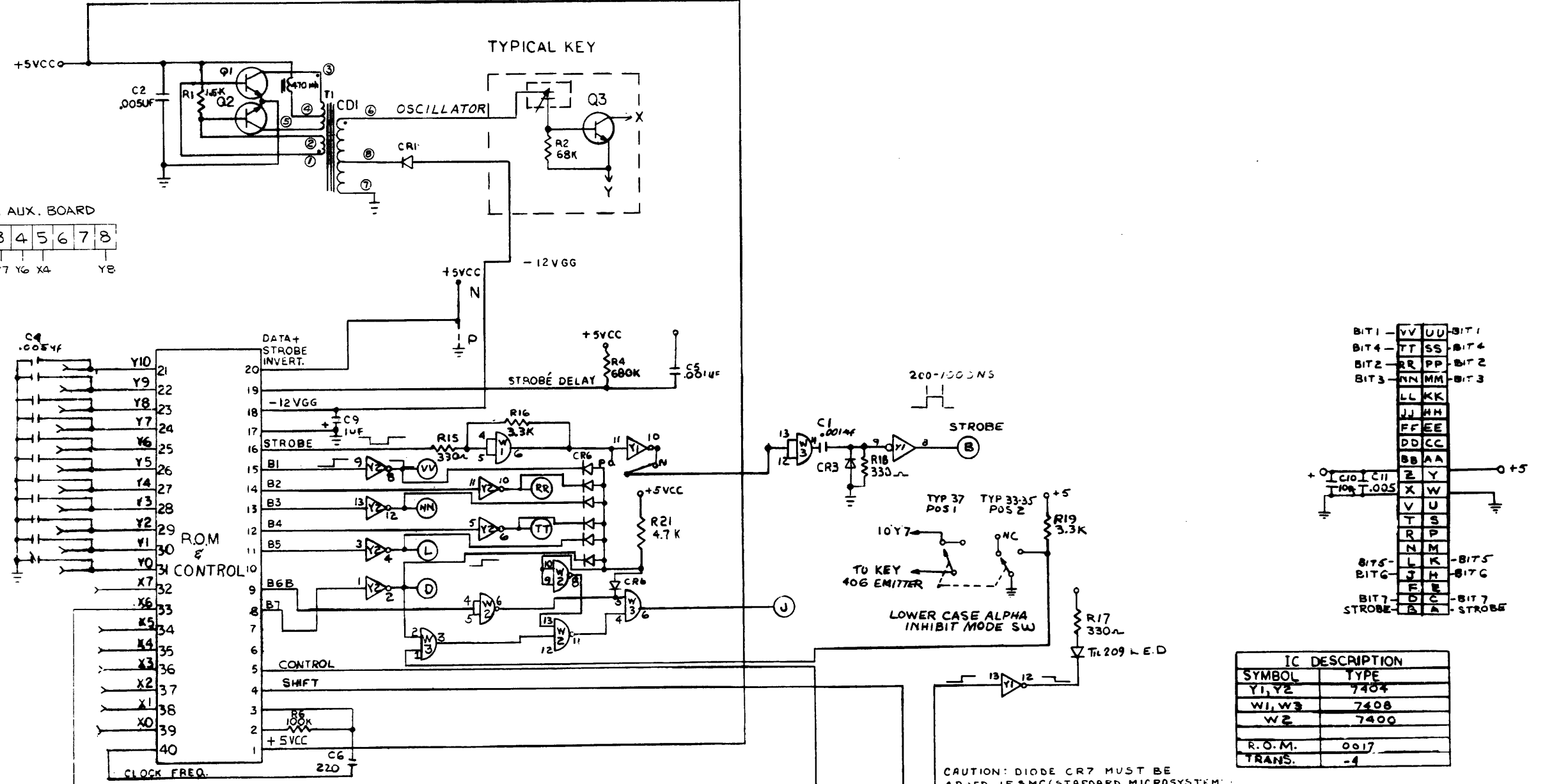
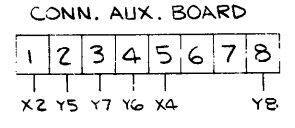
CODE	SIZE	NUMBER	REV.
AD	D	540945-0-0	F

REVISIONS
CHANGE NO.
REV.

CHK

REV.

This drawing and specifications, herein, are the property of Digital Equipment Corporation and shall not be reproduced or copied or used in whole or in part as the basis for the manufacture or sale of items without written permission.

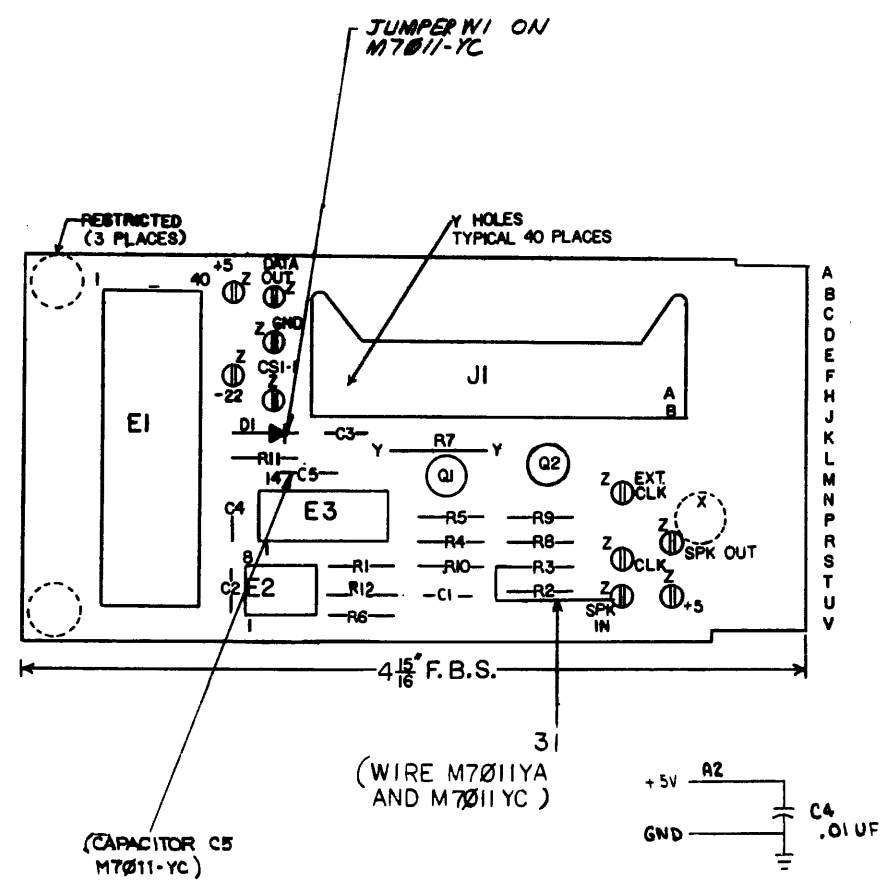


CAUTION: DIODE CR7 MUST BE ADDED IF SMC (STANDARD MICROSYSTEM) ROM KR2376-17 IS USED.

REV	NO	DATE	BY	CHK
1	1	1/15/72	LIBERTY	
2	1	2/15/72	LIBERTY	
3	1	3/15/72	LIBERTY	
4	1	4/15/72	LIBERTY	
5	1	5/15/72	LIBERTY	
6	1	6/15/72	LIBERTY	
7	1	7/15/72	LIBERTY	
8	1	8/15/72	LIBERTY	

QTY.	DESCRIPTION	PART NO.	ITEM NO.
	DESCRIPTION		
	PARTS LIST		
	EQUIPMENT CORPORATION MAYNARD, MASSACHUSETTS		
	TITLE DEC KEYBOARD *2		
	DRAWING NO. D-AD-5409945-0-0		
	SCALE 1/8" = 1"		
	SHEET / OF /		

NOTES:
 1: TO MAKE A M7011YA FROM AM7011, CHANGE D1, R1, R7 AND GROUND SPK IN TO R3 AS SHOWN.
 2: TO MAKE A M7011YC FROM A M7011YA, REPLACE D1 WITH W1, ADD C5, REMOVE R7 AND CHANGE VALUES OF R5 AND R10 AS SHOWN.



QTY	QTY	QTY	REF DESIGNATION	DESCRIPTION	PART NO.	ITEM NO.
-	-	-	TUBING, EXTRUDED #22 (NAT)	9107256-11	26	
1	-	-	C5	CAP. 100PF 5% 100V	1000048	35
-	-	-	R7	RES 470 1/4W 5%	1300315	34
-	-	-	R1	RES 2.4K 1/4W 5%	1303177	33
-	-	-	D1	DIODE, IN746A	1104860-00	32
10	10	10	WIRE, SOLID, #30 AWG, GREEN	9105740-55	31	
1	1	1	R12	RES 10K 1/4W 5%	1300479	30
-	-	-	R5	RES 120 1/4W 5%	1300247	29
-	-	-	R10	RES 5.6K 1/4W 5%	1301874	28
-	-	-	E1	IC, 1808 UART	1910459	27
-	-	-	E2	IC 75451	1710446	26
-	-	-	E3	IC, DEC 8640	1911469	25
2	2	2	Q1, Q2	TRANS, DEC. 3009 B	1803100	24
-	-	-	R9	RES 820 1/4W 5%	1301775	23
-	-	-	R3	RES. 750 1/4W 5%	1301801	22
-	-	-	R8	RES. 10 1/4W 5%	1301317	21
-	-	-	R6	RES 100 1/4W 5%	1300227	20
-	-	-	R1	RES 4.7K 1/4W 5%	1300447	18
2	2	2	R2, R4	RES 330 1/4W 5%	1300295	17
-	-	-	R7	RES 330 1/2W 5%	1300296	16
-	-	-	R11	RES. 150 1/4W 5%	1300250	15
-	-	-	J1	CONN. 40 PIN BERG	1209941	14
-	-	-	D1	DIODE IN758A	1100125	13
-	-	-				12
-	-	-				11
3	3	3	C4, C2, C3	CAP. .01UF 50V	1001610	10
1	1	1	C1	CAP. .1UF 50V	1010978-36	9
1	-	-	W1	JUMPER	90-09105	8
10	10	10		SPLIT LUG	9006735	7
1	-	-	R10	RES 3.3K 1/4W 5%	1300439	6
1	-	-	R5	RES 350 1/4W 5%	1300295	5
1	1	1		ETCHED CIRCUIT BOARD	5010078	4
REF	REF	REF		MODULE ECO HISTORY	B-MW-M7011-0-6	3
REF	REF	REF		ASSY/DRILLING HOLE LAYOUT	D-AH-M7011-0-5	2
REF	REF	REF		X-Y COORDINATE HOLE LOCATION	K-CO-M7011-0-4	1

IC TYPE	QTY	LOC
75451	4	B
UART	3	I
IC TYPE	GND	+5V

GND AND 5V ARE USUALLY PIN 7 AND 14 RESPECTIVELY. EXCEPTIONS ARE STATED ABOVE.

REVISIONS

REV	DATE	BY	DESCRIPTION
1	1-21-72	H. LAVOIE	INITIAL DESIGN
2	1-21-72	H. LAVOIE	REVISED FOR MANUFACTURE
3	1-21-72	H. LAVOIE	REVISED FOR MANUFACTURE
4	1-21-72	H. LAVOIE	REVISED FOR MANUFACTURE
5	1-21-72	H. LAVOIE	REVISED FOR MANUFACTURE
6	1-21-72	H. LAVOIE	REVISED FOR MANUFACTURE
7	1-21-72	H. LAVOIE	REVISED FOR MANUFACTURE
8	1-21-72	H. LAVOIE	REVISED FOR MANUFACTURE
9	1-21-72	H. LAVOIE	REVISED FOR MANUFACTURE
10	1-21-72	H. LAVOIE	REVISED FOR MANUFACTURE

FIRST USED ON OPTION MODEL M7011

ETCH BOARD REV F

SEMICONDUCTOR CONVERSION CHART

DEC NO.	EIA NO.	DEC NO.	EIA NO.
IN746A	114M3.3AZ	DEC 3009 B	2N 3646
RE5		IN4001	SAME
IN758A		IN758	SAME

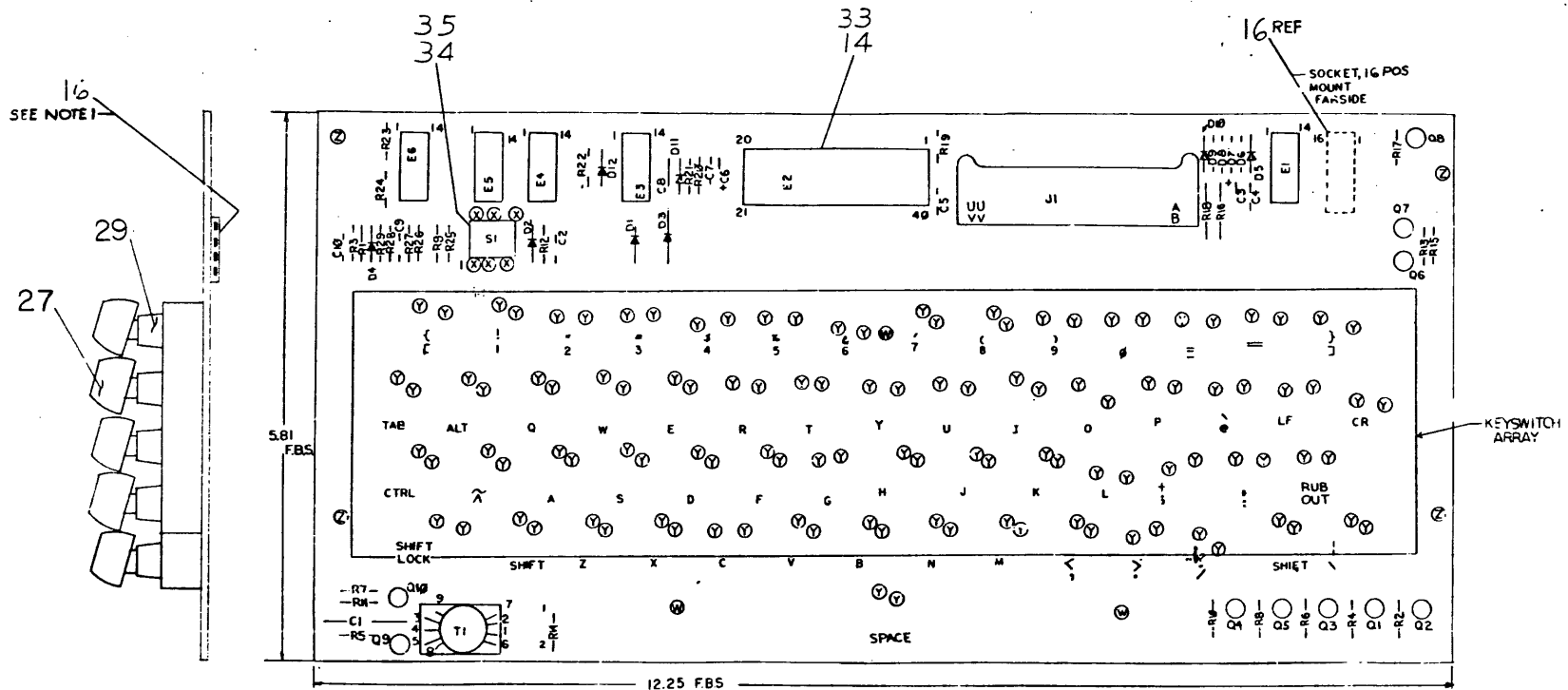
EQUIPMENT CORPORATION
 SERIAL TRANSMITTER
 SCALE NONE
 SHEET 1 OF 2

8
7
6
5
4
3
2
1
The drawing and specifications, herein, are the property of Digital Equipment Corporation and shall not be reproduced, copied or used in whole or in part in any manner for the manufacture or sale of items without written permission.
COPYRIGHT © 1973, DIGITAL EQUIPMENT CORPORATION

NOTES:

- FOR REFERENCE INFO REFER TO DWG NO. D-CS-5410541-0-1. (CURSOR BOARD)

REF	DESCRIPTION	PART NO.	ITEM NO.	
	ASSY/DRILLING HOLE LAYOUT	D-AH-5410541-0-5		
REF	X-Y COORDINATE HOLE LOCATION	K-CO-5410541-0-4		
REF	MODULE ECO HISTORY	B-WH-5410541-0-8		
1	ETCHED CIRCUIT BOARD	5010540-0-0	1	
1	TRANSFORMER ASSY	CAD-3009492-0-0	2	
1	CAP, .01 UF, 50V, 20%, CER, AXIAL	1001610-0-0	3	
1	CAP, .001 UF, 100V, 10% MYLAR	1000052-0-0	4	
1	CAP, .001 UF, 25V, TANT	1010000-2-0-0	5	
1	CAP, .001 UF, 2.50V, 20% DISC	1000043-0-0	6	
1	CAP, 3300 PF, 100 V, 5% MICA	1000043-0-0	7	
1	CAP, 220PF, 100V, 5% DI	1000021-0-0	8	
3	C2 C9 C10	CAP, .003 UF, 25V, CERAM	1010073-0-0	9
1	C8	CAP, 1 UF, 25V, TANT	1010000-1-0	10
11	D1 D2 D4 - D12	DIODE, 06S4	1100114-0-0	11
1	D3	DIODE, INT50A ZENER, 12V, 5%	1110036-0-0	12
1	S1	SWITCH, MIN SLIDE DPST, S591 STACK POLE	1210019-0-0	13
1		SOCKET, IC, 40 PIN (FOR ROM)	1210047-0-0	14
1	J1	CONN, 40 PIN RIGHT ANGLE HEADER	1200411-0-0	15
1		SOCKET, IC, 16 POS, SOLDER TAIL	1210025-0-0	16
2	R5 R7	RES, 1K, 1/4 W, 5%	1300305-0-0	17
6	R14 R12 R20 R3 R24 R21	RES, 330 OHM, 1/4 W, 5%	1300295-0-0	18
1	R11	RES, 10 OHM, 1/4 W, 5%	1301317-0-0	19
4	R20 R1 R25 R23	RES, 3.3K, 1/4 W, 5%	1300430-0-0	20
2	R10 R16	RES, 2 OHM, 1/4 W, 5%	1309421-0-0	21
1	R20	RES, 680K, 1/4 W, 5%	1310067-0-0	22
3	R19 R2 R4 R6 R8 R10 R13 R15 R17	RES, 100K, 1/4 W, 5%	1302006-0-0	23
1	R22	RES, 4.7K, 1/4 W, 5%	1300447-0-0	24
3	R26 R27 R9	RES, 68K, 1/4 W, 5%	1301327-0-0	25
1		SHIFT LOCK ASSY, LED KEY CAP	D-AD-7009502-0-0	26
1		KEY CAPS (COMPLETE SET)	D-PS-9009535-57-0	27
10	Q1, Q2, Q3, Q4, Q5, Q6, Q7, Q8, Q9, Q10	TRANSISTOR, DEC, 3009B, NPN	1503100-0-0	28
1		KEY SWITCH ARRAY	A-PS-3011445-0-0	29
2	E3 E6	IC, DEC, 7400	1910155-0-0	30
1	E4	IC, DEC, 7400	1905575-0-0	31
2	E1 E5	IC, DEC, 7404	1900000-0-0	32
1	E2	READ-ONLY MEMORY CHIP, KEYBOARD ENCODER	2111047-0-0	33
1		PHENOLIC SWITCH SELECTOR	B-MC-7409532-0-0	34
2		SELF TAP, PHL HD, SCREW #4-40X 3/16	92009159	35



IC TYPE	GND	+5V

GND AND 5V ARE USUALLY PIN 7 AND 14 RESPECTIVELY. EXCEPTIONS ARE STATED ABOVE.

IC PIN LOCATIONS

FIRST USED ON OPTION MODEL		LK01-R	
ETCH BOARD REV C D			
PARTS LIST			
DRN. DATE			
CHK'D. DATE			
ENG. DATE			
PROD. DATE			
PROD. DATE			
NEXT HIGHER ASSY			
B-DD-LK01-R			
SCALE: NONE			
SHEET 1 OF 2			
DIST.			
digital EQUIPMENT CORPORATION MAYFIELD, MASSACHUSETTS			
TITLE: MAIN KEYBOARD (LK01-R)			
SIZE CODE: DCS		NUMBER: 5410541-0-1	
DEC NO.		EIA NO.	
REV. C			

DRN. DATE	9-13-73
CHK'D. DATE	9-13-73
ENG. DATE	9-13-73
PROD. DATE	9-13-73
PROD. DATE	9-13-73

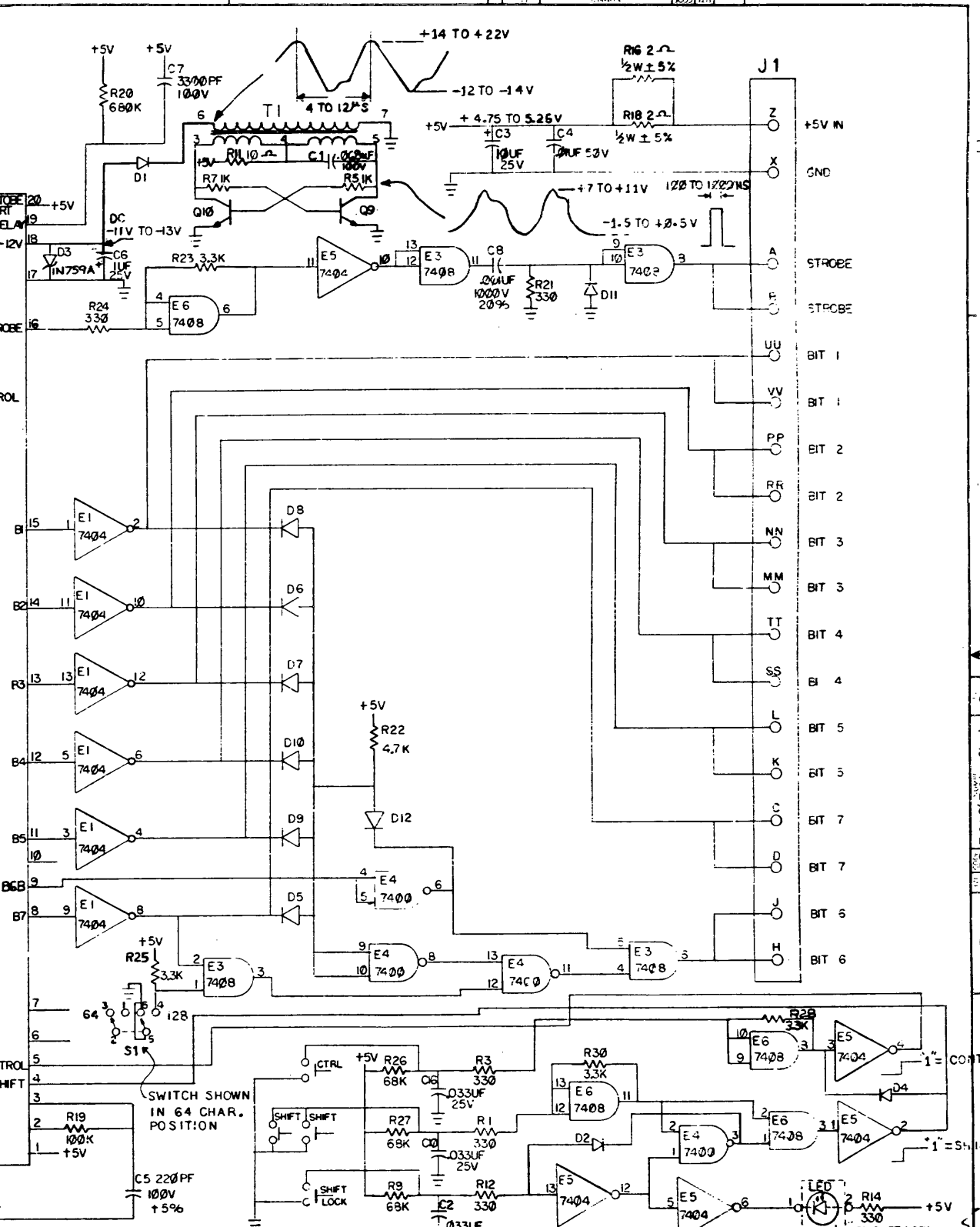
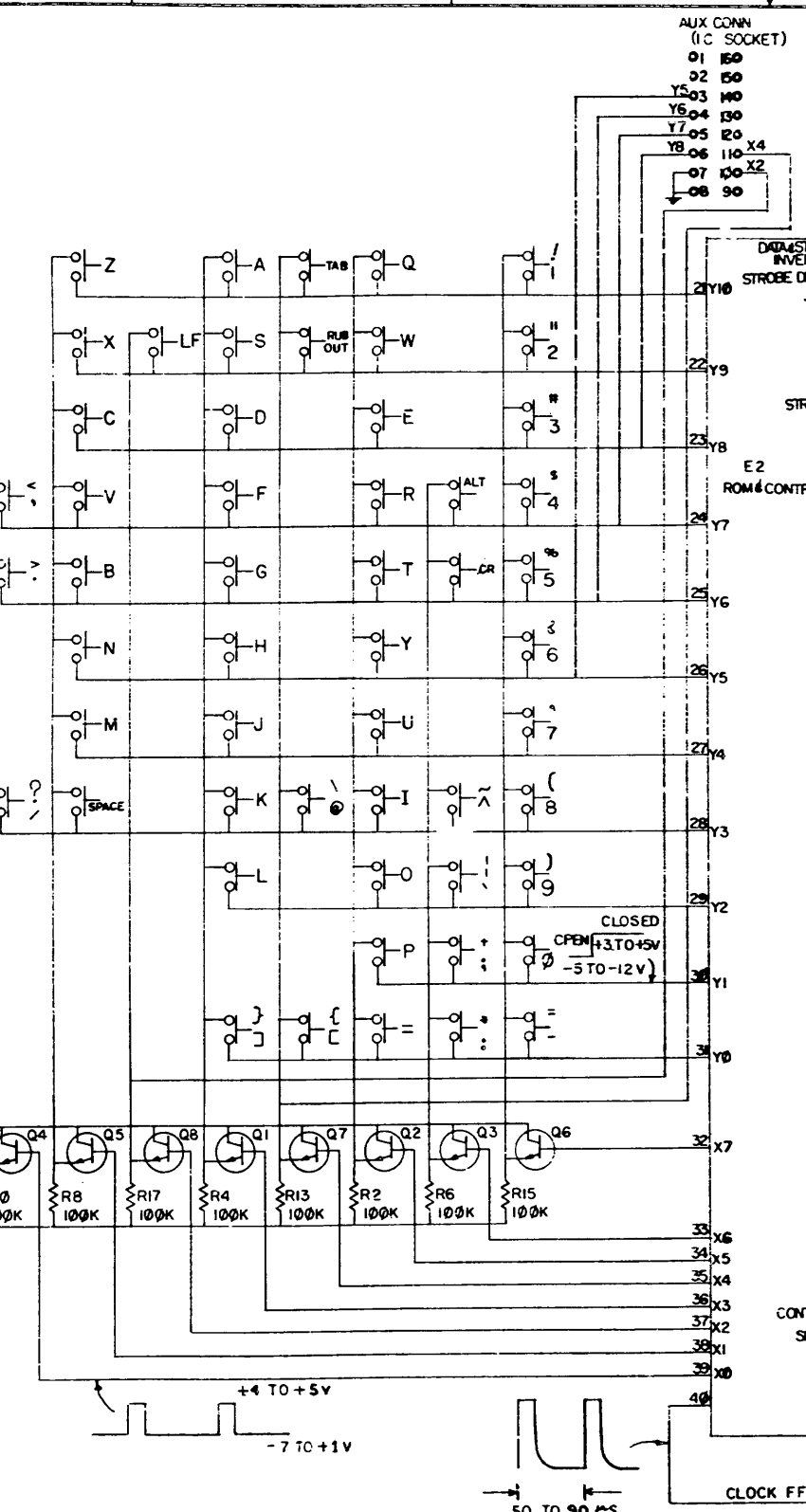
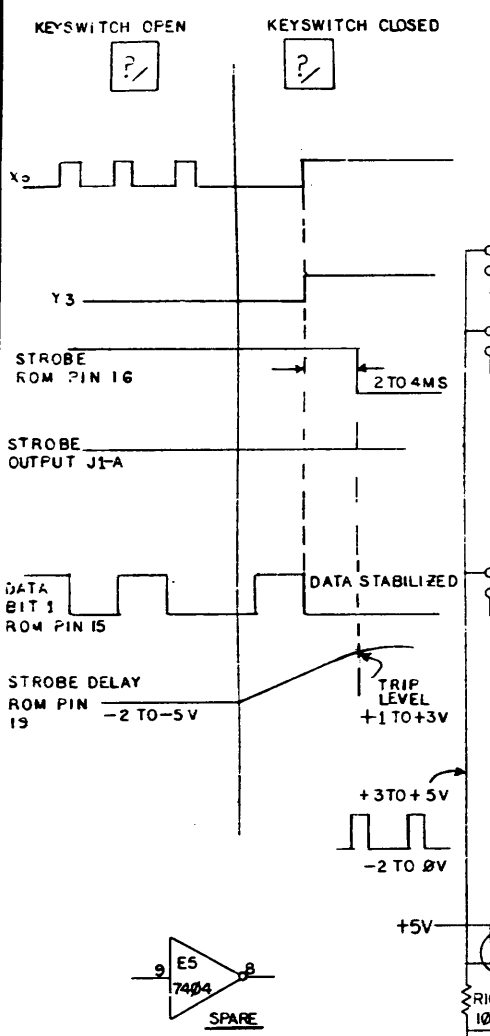
REVISIONS

1	P.NELSON
2	P.NELSON
3	P.NELSON
4	P.NELSON

THIS DRAWING AND SPECIFICATIONS HEREIN ARE THE PROPERTY OF DIGITAL EQUIPMENT CORPORATION AND SHALL NOT BE REPRODUCED OR COPIED OR USED IN WHOLE OR IN PART AS THE BASIS FOR THE MANUFACTURE OR SALE OF ITEMS WITHOUT WRITTEN PERMISSION. COPYRIGHT © 1973, DIGITAL EQUIPMENT CORPORATION

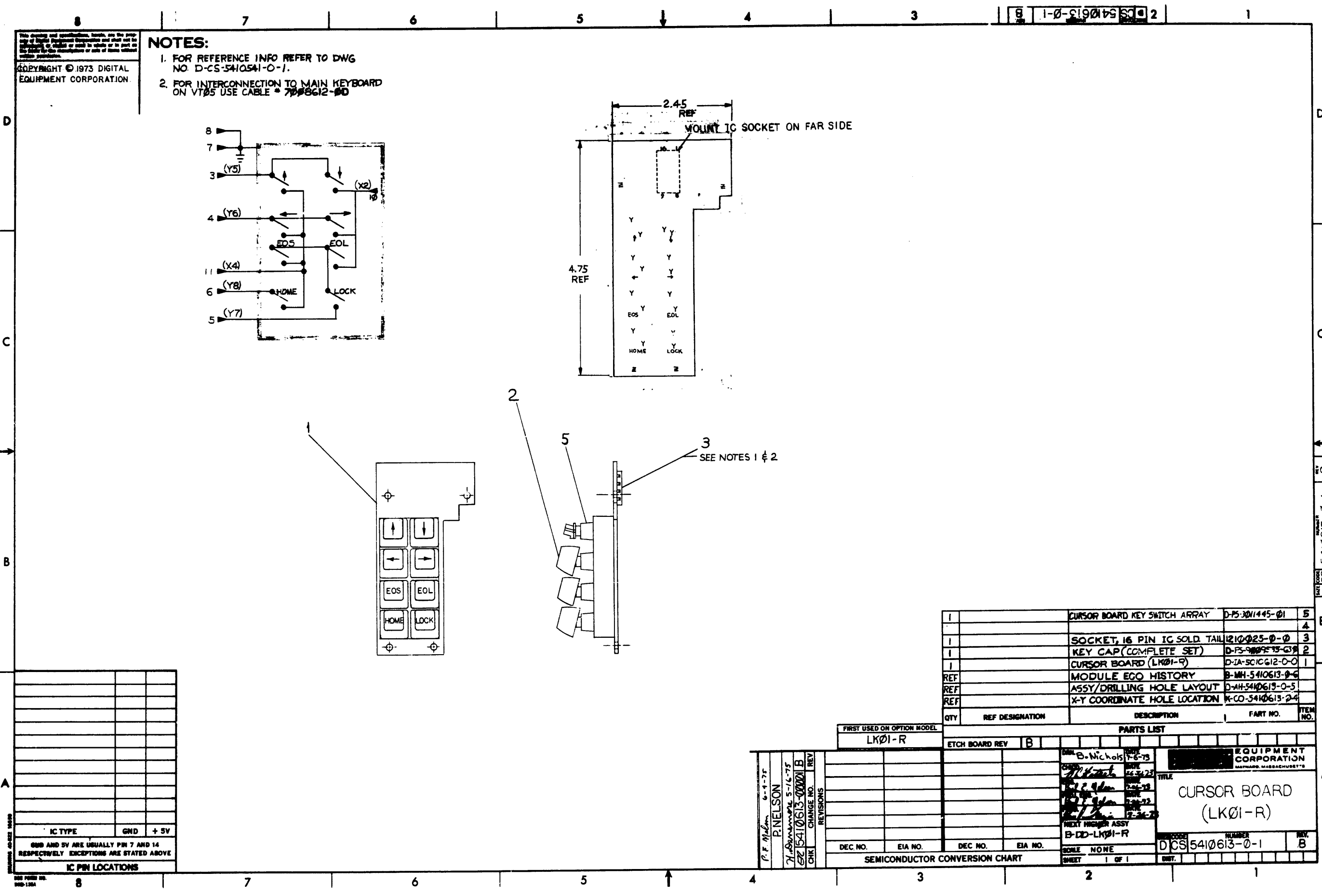
NOTES

- 1. UNLESS OTHERWISE SPECIFIED:
 - a. RESISTORS ARE EXPRESSED IN OHMS & ARE 1/4 W. ± 5%.
 - b. DIODES ARE D664.
 - c. TRANSISTORS ARE LEC 3009B.



REVISIONS		
CHK	CHANGE NO.	REV.

TITLE		SIZE	CODE	NUMBER	REV.
MAIN KEYBOARD		D	CS	5410541-0-1	C
SCALE	NOTE	SHEET	GF	DIST.	
		2	2		



NOTES:
 1. FOR REFERENCE INFO REFER TO DWG NO. D-CS-5410541-0-1.
 2. FOR INTERCONNECTION TO MAIN KEYBOARD ON VT05 USE CABLE * 708612-00

This drawing and specifications herein are the property of Digital Equipment Corporation and shall not be reproduced, stored in a retrieval system, or transmitted in any form or by any means, electronic, mechanical, photocopying, recording, or otherwise, without the prior written permission of Digital Equipment Corporation.

COPYRIGHT © 1973 DIGITAL EQUIPMENT CORPORATION.

IC PIN LOCATIONS	
IC TYPE	GND +5V
GND AND 5V ARE USUALLY PIN 7 AND 14 RESPECTIVELY. EXCEPTIONS ARE STATED ABOVE.	

QTY	REF DESIGNATION	DESCRIPTION	PART NO.	ITEM NO.
1		CURSOR BOARD KEY SWITCH ARRAY	D-P5-3011445-01	5
1		SOCKET, 16 PIN IC SOLD TAIL	1210025-0-0	4
1		KEY CAP (COMPLETE SET)	D-P3-9009-13-00	2
1		CURSOR BOARD (LK01-R)	D-1A-SC10612-0-0	1
REF		MODULE ECO HISTORY	B-MH-5410613-0-6	
REF		ASSY/DRILLING HOLE LAYOUT	D-MH-5410613-0-5	
REF		X-Y COORDINATE HOLE LOCATION	K-CO-5410613-2-4	

FIRST USED ON OPTION MODEL		PARTS LIST			
LK01-R		ETCH BOARD REV	B		
DESIGNER	B. Nichols	DATE	7-6-73	EQUIPMENT CORPORATION MAYFORD, MASSACHUSETTS	
CHK		DATE	7-6-73	TITLE CURSOR BOARD (LK01-R)	
REV		DATE	7-21-73		
REV		DATE	7-21-73		
REV		DATE	7-21-73		
NEXT HIGHER ASSY		B-DD-LK01-R		SCALE	NONE
SEMICONDUCTOR CONVERSION CHART		DEC. NO.	EIA NO.	DEC. NO.	EIA NO.
DRAWN BY		DCS 5410613-0-1		REV. B	
SHEET		1 OF 1		DWT.	

P. F. Nelson
 6-9-73
 P. NELSON
 5-16-75
 5410613-0001 B
 CHANGE NO. REV

DIGITAL EQUIPMENT CORPORATION
MAYNARD, MASSACHUSETTS

PARTS LIST

QUANTITY / VARIATION

MADE BY J. Dzekeviich DATE 7-21-75	CHECKED DATE 7/21/75	SECTION
ENG J. Dzekeviich DATE 7-21-75	PROD D Wakefield DATE	ISSUED SECT.

ITEM NO.	DWG NO. / PART NO.	DESCRIPTION	QUANTITY / VARIATION															
			LK40-0	LK40-A	LK40-B	LK40-C	LK40-D											
1	D-DD-LK40-0	LK40 Engineering Drawings	1	1	1	-	-											
2	B-DD-DL11-0	DL11 Engineering Drawings	-	-	1	-	-											
3	DL11-A	DL11-A Module (No Crystal)	-	-	1	-	-											

TITLE Shipping List (LK40)	ASSY NO LK40-0-0	SIZE CODE A PL	NUMBER LK40-0-1	REV. A	ECO NO. LK40-00009
SHEET 1 OF 1		DIST.			